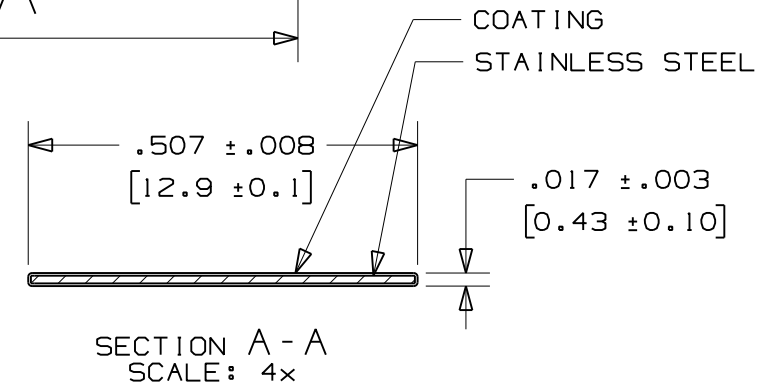
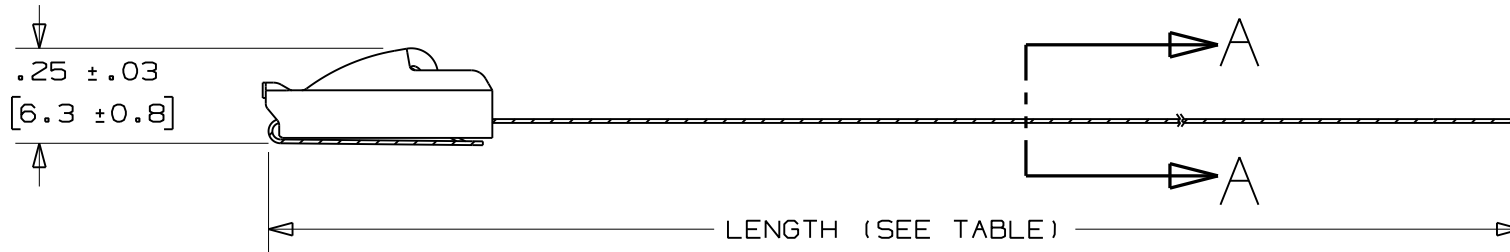
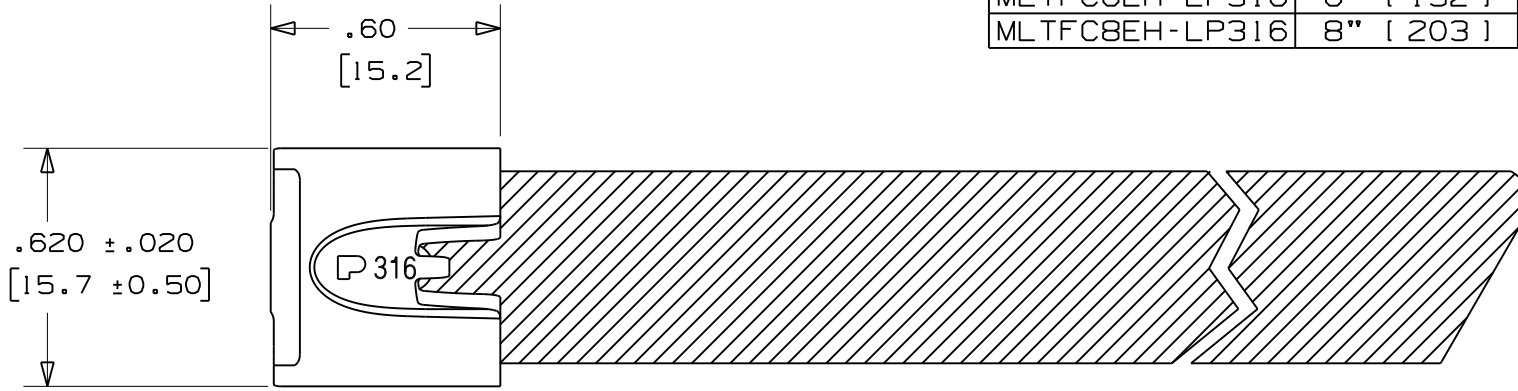


THIS COPY IS PROVIDED ON A RESTRICTED BASIS AND IS NOT TO BE USED IN ANY WAY DETRIMENTAL TO THE INTERESTS OF PANDUIT CORP.

PANDUIT PART NUMBER	MAX. BUNDLE DIAMETER	PACKAGE QUANTITY	LENGTH +/- .3" [ 7 ]
MLTFC2EH-LP316	2" [ 51 ]	50	11.8" [ 300 ]
MLTFC4EH-LP316	4" [ 102 ]	50	17.1" [ 434 ]
MLTFC6EH-LP316	6" [ 152 ]	50	23.4" [ 594 ]
MLTFC8EH-LP316	8" [ 203 ]	50	29.7" [ 754 ]



NOTES:

1. APPLICATION TOOLS - ST3MT & RT2HT
2. MINIMUM LOOP TENSILE STRENGTH - 300 LBS. (1335 NEWTONS) WHEN TESTED ON A 3" MANDREL.
3. BRACKETS [ ] DENOTES DIMENSION IN MILLIMETERS
4. TOLERANCES:  
 .XXX = ±.010 [ .25 ]  
 .XX = ±.02 [ .5 ]  
 .X = ±.03 [ .8 ]  
 ANGLES = ±2°
5. BASE MATERIAL: 316 STAINLESS STEEL
6. COATING - POLYESTER  
 COATING THICKNESS: .002 MIN./ .005 MAX. PER SIDE

N41216BS\_DC/01A

						TINLEY PARK, ILLINOIS			
01A	10/08	JAMB	SKB					ORIG CAD FILE SPEC WAS S41216_01 NOTE 1: APPLICATION TOOL RTIHT REPLACED BY RT2HT	
01	4/07	JMMR	EJD	ADDED NOTE 6	SS00350	METAL LOCKING TIE EXTRA HEAVY DUTY FULLY COATED 316 STAINLESS STEEL CUSTOMER DRAWING			
00	9/05	JAMB	EJD	RELEASED	SS00052				
REV	DATE	BY	CHK	DESCRIPTION	ECN #	DRAWN BY JAMB	CHK'D EJD	SCALE 2x	DRAWING NO. N41216BS_DC